

# COOMERA FREESTANDING TUB FILLER

Cat. No.  
7918



## Features:

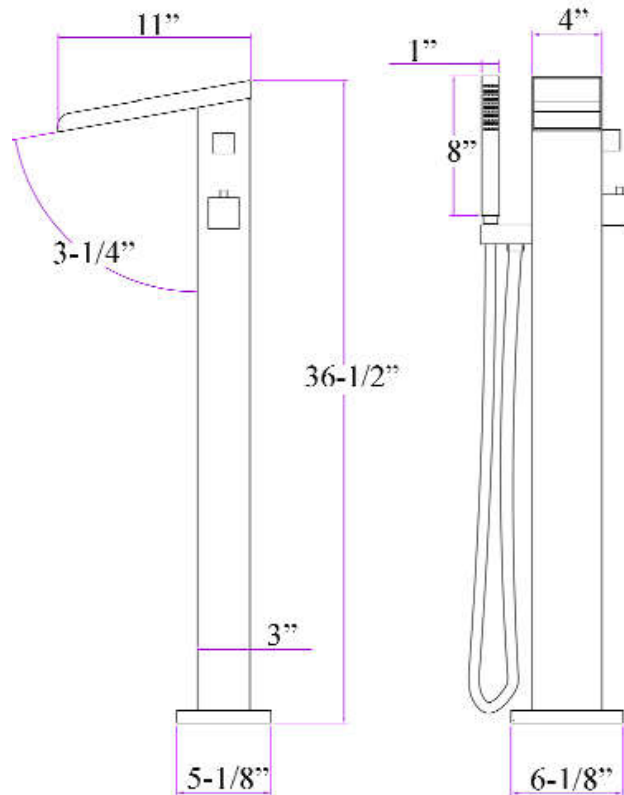
- ▶ Constructed of 304 graded stainless steel
- ▶ Thermostatic control within 1° celcius
- ▶ Thermostatic brass cartridge
- ▶ Rough-In Valve Included
- ▶ Spout reach 9"
- ▶ Luxurious waterfall design
- ▶ ½ NPT connection
- ▶ Spout is 4" wide by 11" long
- ▶ Includes handshower with 66" hose
- ▶ Flow rate is 6-6.5 GPM at 65-70 PSI
- ▶ Flow rate handshower 2.5 GPM. Optional regulator in parts bag reduces flow rate to 2.0 GPM for CA requirements.
- ▶ Mounting plate mounts to wood or tile floor

## Finishes:

**SP** Polished Stainless Steel

**SB** Brushed Stainless Steel

D: 5-1/8"  
W: 11"  
H: 36-1/2"



**Use on concrete floors requires special installation. We recommend using a plumbing professional.**

Dimensions are nominal and may vary. Dimensions and specifications subject to change without notice.

# COOMERA FREESTANDING TUB FILLER

Cat. No.  
7918

